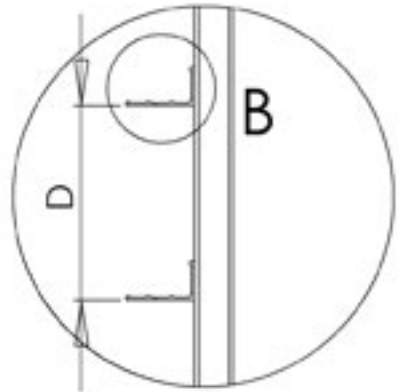
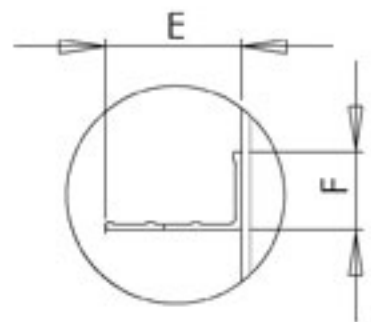


- A = \_\_\_\_\_
- B = \_\_\_\_\_
- C = \_\_\_\_\_
- D = \_\_\_\_\_
- E = \_\_\_\_\_
- F = \_\_\_\_\_



DETAIL A  
SCALE 1 : 5



DETAIL B  
SCALE 2 : 5